

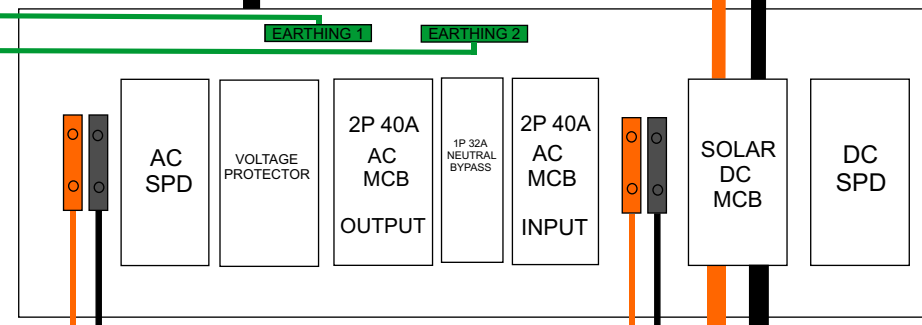
10 SOLAR PANEL IN SERIES



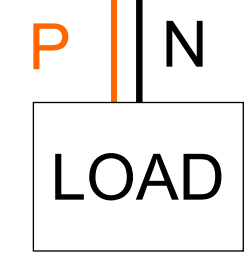
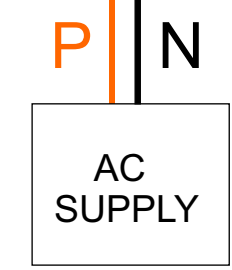
5KW INVERTER

5 PIN CONNECTOR

ACDC DISTRIBUTION BOX



BATTERY-48V



GROUND EARTH 1, GROUND EARTH 2

Note: 1) Keep 1P Neutral Bypass MCB off if you are running load on both wires(Phase and Neutral)
 2) Keep 1P Neutral Bypass MCB on if you are running load on single wire(Phase only)